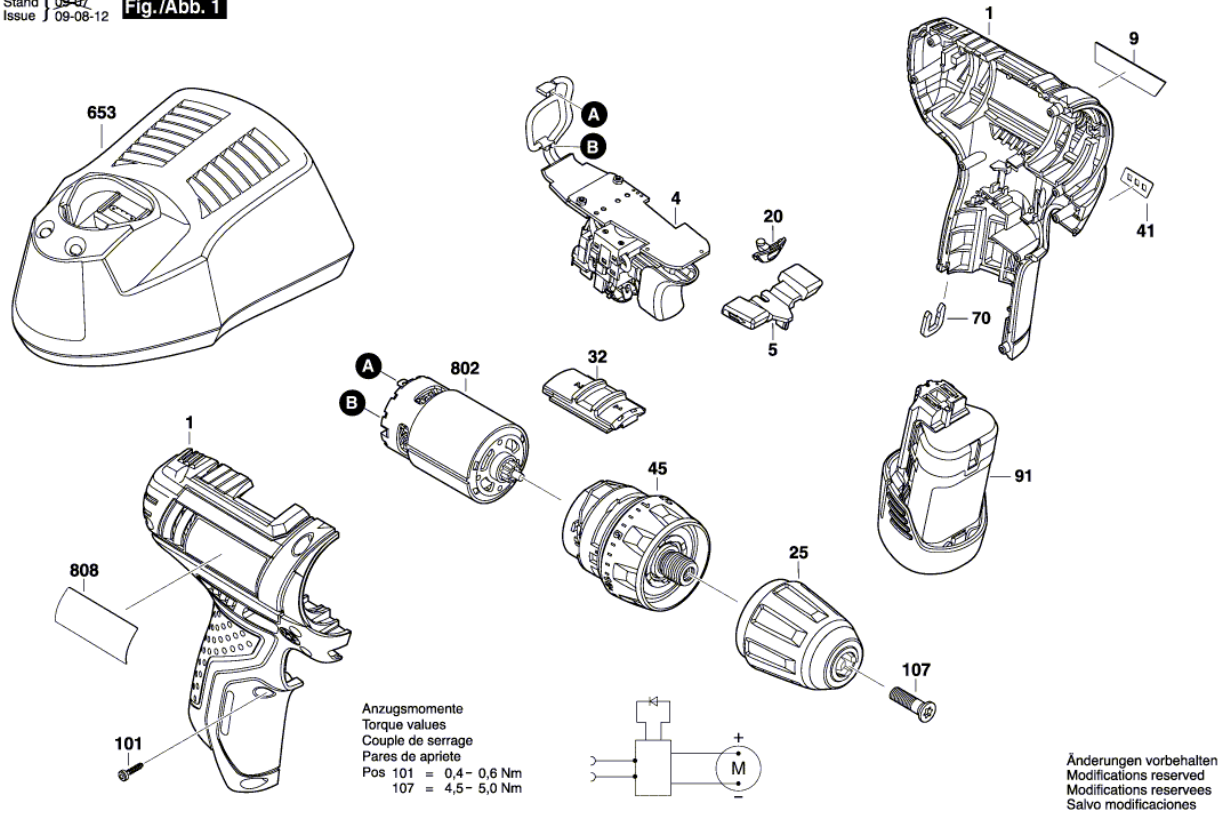


Illustration - Type - E

3 601 H68 100
 Stand | 09-07
 Issue | 09-06-12

Fig./Abb. 1



Spare parts list

| Item | Part Number | Description | Illustration |
|------|---------------|--|--------------|
| 1 | 2 609 100 824 | Housing BLUE | 1 |
| 4 | 1 607 233 5DK | Electronics Module | 1 |
| 5 | 2 609 100 825 | Changeover Lever | 1 |
| 9 | 1 601 11C 1LU | Manufacturer's nameplate GSR 12V-15 | 1 |
| 20 | 2 609 100 826 | Lens | 1 |
| 25 | 2 609 110 967 | Keyless Chuck | 1 |
| 32 | 2 609 199 279 | Switchover Unit | 1 |
| 41 | 2 609 132 378 | Sticker | 1 |
| 45 | 2 609 199 786 | Gear Box | 1 |
| 70 | 2 609 110 537 | Clip | 1 |
| 91 | 1 607 A35 049 | Battery Pack 12V, 2,5Ah, LI GBA | 1 |
| 91 | 1 607 A35 079 | Battery Pack GBA 12V 2.5Ah OW-B | 1 |
| 91 | 1 607 A35 0BW | Battery Pack EU GBA 12V 4.0Ah O-B SCM | 1 |
| 91 | 1 607 A35 0C5 | Battery Pack GBA 12V 2.0Ah Li SCM | 1 |
| 101 | 2 609 110 883 | Screw | 1 |
| 107 | 2 603 421 229 | Countersunk-Head Screw M6x23 LEFTHAND THREADS | 1 |
| 653 | 2 607 226 101 | Fast Charger EU GAL 1230 CV 230/12V | 1 |
| 653 | 2 607 226 139 | Charger set AUS GAL 1230 CV 240/12V | 1 |
| 802 | 2 609 199 258 | DC motor 10,8V - 12V | 1 |
| 808 | 1 601 11A 4FW | Nameplate | 1 |